

Test: (2020) Primary 6 Maths (Term 1) - Pei Chun

Points: 28 points

Name: _____

Score: _____

Date: _____

Signature: _____

Select multiple choice answers with a cross or tick:

Only select one answer

Can select multiple answers

Question 1 of 28

Primary 6 Math (Term 1) 1 pt

Simplify the expression $7p + 12 + 16p - 5$

Question 2 of 28

Primary 6 Math (Term 1) 1 pt

Find the value of $\frac{3+8k}{5}$ when $k = 7$. Express your answer as a mixed number.

Question 3 of 28

Primary 6 Math (Term 1) 1 pt

Find the value of $50 \div 2000$. Express your answer as a decimal

Question 4 of 28

Primary 6 Math (Term 1) 1 pt

Round 235 490 to the nearest thousand

Question 5 of 28

Primary 6 Math (Term 1) 1 pt

Find the value of $\frac{1}{6} \div \frac{2}{3}$.
Express your answer as a fraction in the simplest form.

Question 6 of 28

Primary 6 Math (Term 1) 1 pt

There are 24 boys and 16 girls in a class. What percentage of the pupils in the class are boys?

Question 7 of 28

Primary 6 Math (Term 1) 1 pt

Express 5.2 as a percentage

Question 8 of 28

Primary 6 Math (Term 1) 1 pt

Write down all the common multiple(s) of 4 and 5 that is/are less than 30.

Question 9 of 28

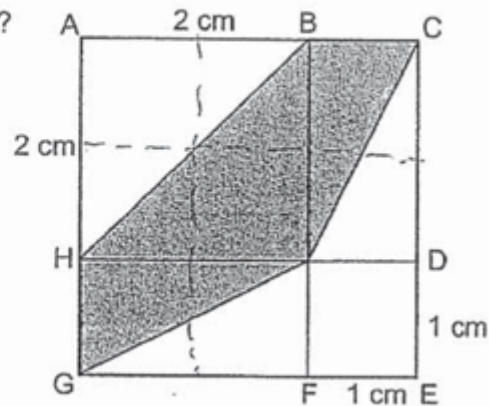
Primary 6 Math (Term 1) 1 pt

Find the value of $\frac{3}{4} - \frac{2}{5}$.

Question 10 of 28

Primary 6 Math (Term 1) 1 pt

Square ACEG is made up of 2 squares and 2 rectangles.
 AB = AH = 2 cm and DE = EF = 1 cm.
 What fraction of square ACEG is shaded?

**Question 11 of 28**

Primary 6 Math (Term 1) 1 pt

The number of members in the running club increased from 80 to 100 last year. What was the percentage increase in the number of club members last year?

Question 12 of 28

Primary 6 Math (Term 1) 1 pt

Mei Hua had \$6y. After buying some cloth at \$5 per metre, she had \$2y left. How many metres of cloth did she buy? Express your answers in terms of y.

Question 13 of 28

Primary 6 Math (Term 1) 1 pt

Mrs Lim bought 30 pencils at \$0.24 each. How much change did Mrs Lim receive after paying for the 30 pencils with a \$10 note?

Question 14 of 28

Primary 6 Math (Term 1) 1 pt

Mrs Siva bought $\frac{3}{5}$ kg of mutton. She used $\frac{1}{4}$ of it.
How much mutton had she left? Express your answer as a fraction.

Question 15 of 28

Primary 6 Math (Term 1) 1 pt

In a 6-km run, a runner run past a cone at every $\frac{7}{8}$ km indicating the distance he has completed. There is a cone at the beginning and also at the end of the race. How many cones does the runner need to run past to complete the 6-km run?

Question 16 of 28

Primary 6 Math (Term 1) 1 pt

When a shop sold each plastic file for \$6, Zainal could buy 10 files with his money. The shop now sells the file at a 20% discount. What is the maximum number of files Zainal can buy with the same amount of money?

Question 17 of 28

Primary 6 Math (Term 1) 1 pt

Ray bought 100 oranges and 40 pears for his friends. He divided the oranges equally among them and had 15 oranges left. Then, he divided as many pears as possible among them and had 6 pears left. How many friends were there?

Question 18 of 28

Primary 6 Math (Term 1) 1 pt

Amin mixed 2.05 l of orange juice with $\frac{3}{5}$ l of lemon juice.
What was the total volume of the mixture of juices?
Give your answer in millilitres.

Question 19 of 28

Primary 6 Math (Term 1) 1 pt

5kg of sugar is distributed equally into 16 small bags. What is the mass of sugar in each bag? Round your answer to 2 decimal places.

Question 20 of 28

Primary 6 Math (Term 1) 1 pt

Nora spent 70% of her money on a bag and $\frac{3}{8}$ of the remainder on a purse.
What percentage of her money did she spend on the purse?

Question 21 of 28

Primary 6 Math (Term 1) 1 pt

Jay had \$k. Richard had \$(2k-17). Mary had 3 times as much money as Jay. The three of them pooled all their money together to buy a gift for their mother.

a) What was the price of the gift. Express your answer in terms of k.

Question 22 of 28

Primary 6 Math (Term 1) 1 pt

b) The price of the gift was \$127. How much money did Richard have at first?

Question 23 of 28

Primary 6 Math (Term 1) 1 pt

a) Mr Chan decreased the amount of household allowance given to Mrs Chan by 24% in June. As a result, the allowance in June was \$1748. What was the original household allowance given to Mrs Chan?

Question 24 of 28

Primary 6 Math (Term 1) 1 pt

b) With the allowance of \$1748 in June, Mrs Chan spent 60% of the allowance and have part of the remainder to her daughter. In June, the allowance given to her daughter dropped by 15% from \$160. In the end, how much the allowance had Mrs Chan left in June?

Question 25 of 28

Primary 6 Math (Term 1) 1 pt

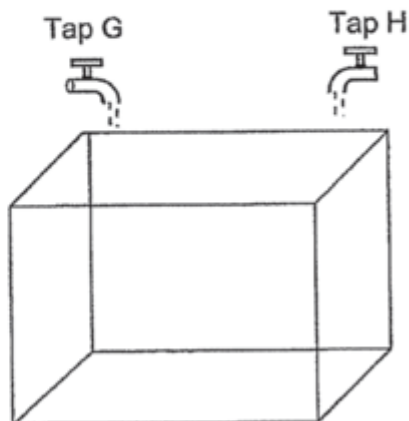
Hui Ling had \$480 at first. She used $\frac{1}{5}$ of her money to buy a pair of shoes and $\frac{5}{12}$ of the remaining money to buy a purse. How much had Hui Ling left?

Question 26 of 28

Primary 6 Math (Term 1) 1 pt

The figure shows an empty tank placed below 2 taps, G and H. It takes 18 min to fill the tank with Tap G alone and 12 min with Tap H alone.

(a) With only Tap H turned on, what fraction of the tank will be filled in 1 min?



Question 27 of 28

Primary 6 Math (Term 1) 1 pt

- (b) Starting with an empty tank, how long does it take for both taps together to fill up $\frac{1}{2}$ of the tank?
-

Question 28 of 28

Primary 6 Math (Term 1) 1 pt

Kumar bought some potted plants at the prices shown below.



Kumar bought an equal number of potted plants E and potted plants F.
He spent \$182 less on plants F than on plants E.
How much did Kumar spend on potted plants F?
